

EDS-G4012 Series

12G-port (with 8 802.3bt PoE port option) full Gigabit managed Ethernet switches



Features and Benefits

- Developed according to the IEC 62443-4-1 and compliant with the IEC 62443-4-2 industrial cybersecurity standards
- Support for IEEE 802.3bt PoE for up to 90 W output per port
- Increased bandwidth capabilities with fiber SFP slots supporting up to 2.5 Gbps
- Turbo Ring and Turbo Chain (recovery time < 50 ms @ 250 switches), and RSTP/STP for network redundancy
- Wide range of power input options for flexible deployment
- Compact and flexible housing design to fit into confined spaces
- Supports MXstudio for easy, visualized industrial network management

Certifications



Introduction

The EDS-G4012 Series is equipped with 12 Gigabit Ethernet ports and up to four 1 Gbps or 2.5 Gbps fiber-optic ports, making it ideal for upgrading an existing network to Gigabit speed or building a new full Gigabit backbone. Gigabit transmission speed increases bandwidth for higher performance and transfers large amounts of triple-play services across a network quickly. This Series also comes with eight 10/100/1000BaseT(X) 802.3af (PoE), 802.3at (PoE+), and 802.3bt-compliant Ethernet port options to connect high-bandwidth PoE devices.

Redundant Ethernet technologies such as Turbo Ring, Turbo Chain, and RSTP/STP increase the reliability of your system and improve the availability of your network backbone. The EDS-G4012 Series is designed specifically for demanding applications such as video and process monitoring, ITS, and DCS systems, all of which can benefit from a scalable backbone construction.

The EDS-G4012 Series is compliant with the IEC 62443-4-2 and IEC 62443-4-1 Industrial Cybersecurity certifications, which cover both product security and secure development life-cycle requirements, helping our customers meet the compliance requirements of secure industrial network design.

Specifications

Ethernet Interface

10/100/1000BaseT(X) Ports (RJ45 connector)	EDS-G4012-4GC-HV/-LV/-T models: 8 Auto MDI/MDI-X connection Auto negotiation speed Full/Half duplex mode
Combo Ports (10/100/1000BaseT(X) or 100/1000BaseSFP)	EDS-G4012-4GC-LV/-HV/-T models: 4
PoE Ports (10/100/1000BaseT(X), RJ45 connector)	EDS-G4012-8P-4QGS-LVA/-LVB/-T models: 8

1000/2500BaseSFP Ports	EDS-G4012-8P-4QGS-LVA/-LVB/-T models: 4
Standards	<p>IEEE 802.3 for 10BaseT IEEE 802.3u for 100BaseT(X) and 100BaseFX IEEE 802.3ab for 1000BaseT(X) IEEE 802.3z for 1000BaseX IEEE 802.3bz for 2.5GBaseX IEEE 802.3x for flow control IEEE 802.3ad for Port Trunk with LACP IEEE 802.1Q for VLAN Tagging IEEE 802.1D-2004 for Spanning Tree Protocol IEEE 802.1w for Rapid Spanning Tree Protocol IEEE 802.1p for Class of Service IEEE 802.1X for authentication</p>
Ethernet Software Features	
Industrial Protocols	<p>EtherNet/IP Modbus TCP PROFINET IO Device</p>
Management	<p>IPv4/IPv6 Flow control Back Pressure Flow Control DHCP Server/Client ARP RARP LLDP Port Mirroring (SPAN, RSPAN) Linkup Delay SMTP SNMP Trap SNMP Inform SNMPv1/v2c/v3 RMON TFTP SFTP HTTP HTTPS Telnet Syslog Private MIB Fiber check</p>
Filter	<p>GMRP GVRP GARP 802.1Q VLAN IGMP Snooping v1/v2/v3 IGMP Querier</p>
Redundancy Protocols	<p>STP RSTP Turbo Ring v2 Turbo Chain Ring Coupling Dual-Homing MRP Link Aggregation MSTP</p>
Security	<p>Broadcast storm protection Rate Limit Trust access control Static Port Lock MAC Sticky HTTPS/SSL SSH RADIUS TACACS+ Login and Password Policy Access control list DHCP Snooping</p>

Time Management	SNTP NTP Server/Client NTP Authentication IEEE 1588v2 PTP (hardware-based) Supported power profiles: IEEE 1588 Default 2008, IEC 61850-9-3-2016, IEEE C37.238-2017
Protocols	IPv4/IPv6 TCP/IP UDP ICMP ARP RARP TFTP DNS NTP Client DHCP Server DHCP Client 802.1X QoS HTTPS HTTP Telnet SMTP SNMPv1/v2c/v3 RMON Syslog
MIB	P-BRIDGE MIB Q-BRIDGE MIB IEEE8021-SPANNING-TREE-MIB IEEE8021-PAE-MIB IEEE8023-LAG-MIB LLDP-EXT-DOT1-MIB LLDP-EXT-DOT3-MIB SNMPv2-MIB RMON MIB Groups 1, 2, 3, 9

Switch Properties

MAC Table Size	16 K
Jumbo Frame Size	9.216 KB
Max. No. of VLANs	256
VLAN ID Range	VID 1 to 4094
IGMP Groups	512
Priority Queues	4
Packet Buffer Size	1 MB

LED Interface

LED Indicators	PWR1, PWR2, STATE, FAULT, MSTR/HEAD, CPLR/TAIL, SYNC
----------------	--

Serial Interface

Console Port	RS-232 (TxD, RxD, GND), 8-pin RJ45 (115200, n, 8, 1)
--------------	--

USB Interface

USB Connector	USB Type A (Reserved)
---------------	-----------------------

Input/Output Interface

Alarm Contact Channels	1, Relay output with current carrying capacity of 1 A @ 24 VDC
Digital Input Channels	1

Digital Inputs	+13 to +30 V for state 1 -30 to +3 V for state 0 Max. input current: 8 mA
Buttons	Reset button
DIP Switch Configuration	
DIP Switches	Turbo Ring, Master, Coupler, Reserve
Power Parameters	
Connection	2 removable 4-contact terminal block(s)
Pre-installed Power Module	-LV/-LV-T models: PWR-100-LV -HV/-HV-T models: PWR-105-HV-I -LVA/-LVA-T models: PWR-101-LV-BP-I -LVB/-LVB-T models: PWR-103-LV-VB-I
Note	The EDS-G4012 Series supports modular power supplies. The model names and power parameters are determined by the installed power module. For example: EDS-G4012-4GC-T + PWR-100-LV = EDS-G4012-4GC-LV-T EDS-G4012-4GC-T + PWR-105-HV-I = EDS-G4012-4GC-HV-T If you install a different power module, refer to the specifications of the corresponding model. For example, if you replace the power module of the EDS-G4012-4GC-LV-T with the PWR-105-HV-I, refer to the specifications of the EDS-G4012-4GC-HV-T.
Input Voltage	-LV/-LV-T models: 12/24/48 VDC, Redundant dual inputs -HV/-HV-T models: 110/220 VDC/VAC, Single input -LVA/-LVA-T models: 48 VDC, Redundant dual inputs -LVB/-LVB-T models: 12/24/48 VDC, Redundant dual inputs
Operating Voltage	-LV/-LV-T models: 9.6 to 60 VDC -HV/-HV-T models: 88 to 300 VDC, 85 to 264 VAC -LVA/-LVA-T models: 44 to 57 VDC (>52 VDC for PoE+ output recommended) -LVB/-LVB-T models: 12 to 57 VDC (>52 VDC for PoE+ output recommended)
Input Current	-LV/-LV-T models: 12-48 VDC, 1.50-0.40 A or 24 VDC, 0.70 A -HV/-HV-T models: 110-220 VAC, 50-60 Hz, 0.30-0.20 A or 110-220 VDC, 0.30-0.20 A -LVA/-LVA-T models: 48 VDC, 5.42 A -LVB/-LVB-T models: 12/48 VDC, 7.46/4.27 A or 24 VDC, 7.26 A
Power Consumption (Max.)	EDS-G4012-4GC-LV(-T) models: 12.68 W EDS-G4012-4GC-HV(-T) models: 15.8 W EDS-G4012-8P-4QGS-LVA(-T) models: Without PoE: 15.58 W With PoE: Max. 240 W for total PD power consumption @ 48 VDC input EDS-G4012-8P-4QGS-LVB(-T) models: Without PoE: 17.96 W With PoE: Max. 180 W for total PD power consumption @ 48 VDC input; Max. 150 W for total PD power consumption @ 24 VDC input; Max. 62 W for total PD power consumption @ 12 VDC input
Max. PoE Power Output per Port	90 W
Overload Current Protection	Supported
Reverse Polarity Protection	Supported
Physical Characteristics	
IP Rating	IP40
Dimensions	55 x 140 x 122.5 mm (2.17 x 5.51 x 4.82 in)

Weight	EDS-G4012-4GC(-T) models: 881.5 g (1.94 lb) EDS-G4012-8P-4QGS(-T) models: 972 g (2.14 lb)
Installation	DIN-rail mounting Wall mounting (with optional kit)
Housing	Metal
Environmental Limits	
Operating Temperature	Standard Models: -10 to 60°C (14 to 140°F) Wide Temp. Models: -40 to 75°C (-40 to 167°F)
Storage Temperature (package included)	-40 to 85°C (-40 to 185°F)
Ambient Relative Humidity	5 to 95% (non-condensing)
Standards and Certifications	
Industrial Cybersecurity	IEC 62443-4-1 IEC 62443-4-2
Safety	UL 61010-2-201 EN 62368-1 (LVD)
EMC	EN 55032/35 EN 61000-6-2/-6-4
EMI	CISPR 32, FCC Part 15B Class A
EMS	IEC 61000-4-2 ESD: Contact: 8 kV; Air: 15 kV IEC 61000-4-3 RS: 80 MHz to 1 GHz: 20 V/m IEC 61000-4-4 EFT: Power: 4 kV; Signal: 4 kV IEC 61000-4-5 Surge: Power: 4 kV; Signal: 4 kV IEC 61000-4-6 CS: 10 V IEC 61000-4-8 PFMF
Maritime	-LV/-LV-T, PoE/PoE-T models: DNV, ABS, NK, LR
Vibration	IEC 60068-2-6
Shock	IEC 60068-2-27
Freefall	IEC 60068-2-32
Railway	EN 50121-4
Traffic Control	NEMA TS2
Power Substation	IEC 61850-3 IEEE 1613 Class 1
Hazardous Locations	-LV/-LV-T models: ATEX IECEX Class I Division 2
MTBF	
Time	EDS-G4012-4GC-HV/HV-T: 456,870 hrs EDS-G4012-4GC-LV/LV-T: 867,981 hrs EDS-G4012-8P-4QGS-LVA/LVA-T: 799,780 hrs EDS-G4012-8P-4QGS-LVB/LVB-T: 759,924 hrs
Standards	Telcordia SR332

Warranty

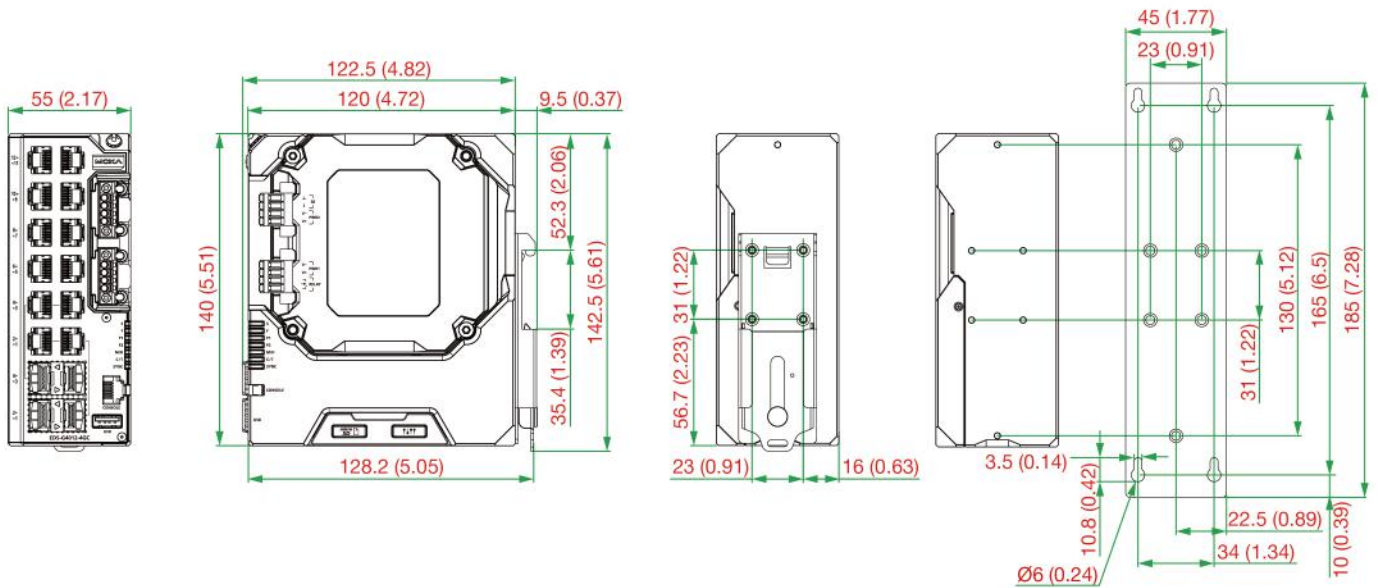
Warranty Period	5 years
Details	See www.moxa.com/warranty

Package Contents

Device	1 x EDS-G4012 Series switch
Documentation	1 x quick installation guide 1 x product notice, Simplified Chinese 1 x product certificates of quality inspection, Simplified Chinese 1 x warranty card

Dimensions

Unit: mm (inch)



Ordering Information

Model Name	10/100/1000BaseT(X) Ports, RJ45 Connector	Combo Ports (10/100/1000BaseT(X) or 100/1000BaseSFP)	PoE 10/100/1000BaseT(X) Ports, RJ45 Connector	100/1000/2500BaseSFP Ports	Operating Voltage	Pre-installed Power Module	Operating Temp.
EDS-G4012-4GC-LV	8	4	-	-	9.6 to 60 VDC	PWR-100-LV	-10 to 60°C
EDS-G4012-4GC-LV-T	8	4	-	-	9.6 to 60 VDC	PWR-100-LV	-40 to 75°C
EDS-G4012-4GC-HV	8	4	-	-	88 to 300 VDC, 85 to 264 VAC	PWR-105-HV-I	-10 to 60°C
EDS-G4012-4GC-HV-T	8	4	-	-	88 to 300 VDC, 85 to 264 VAC	PWR-105-HV-I	-40 to 75°C
EDS-G4012-8P-4QGS-LVA	-	-	8	4	44 to 57 VDC (> 52 VDC for PoE+ input recommended)	PWR-101-LV-BP-I	-10 to 60°C
EDS-G4012-8P-4QGS-LVA-T	-	-	8	4	44 to 57 VDC (> 52 VDC for PoE+ input recommended)	PWR-101-LV-BP-I	-40 to 75°C

SFP-1G20ALC	WDM-type (BiDi) SFP module with 1 1000BaseSFP port with LC connector for 20 km transmission; TX 1310 nm, RX 1550 nm, 0 to 60°C operating temperature
SFP-1G20BLC	WDM-type (BiDi) SFP module with 1 1000BaseSFP port with LC connector for 20 km transmission; TX 1550 nm, RX 1310 nm, 0 to 60°C operating temperature
SFP-1G40ALC	WDM-type (BiDi) SFP module with 1 1000BaseSFP port with LC connector for 40 km transmission; TX 1310 nm, RX 1550 nm, 0 to 60°C operating temperature
SFP-1G40BLC	WDM-type (BiDi) SFP module with 1 1000BaseSFP port with LC connector for 40 km transmission; TX 1550 nm, RX 1310 nm, 0 to 60°C operating temperature
SFP-1G10ALC-T	WDM-type (BiDi) SFP module with 1 1000BaseSFP port with LC connector for 10 km transmission; TX 1310 nm, RX 1550 nm, -40 to 85°C operating temperature
SFP-1G10BLC-T	WDM-type (BiDi) SFP module with 1 1000BaseSFP port with LC connector for 10 km transmission; TX 1550 nm, RX 1310 nm, -40 to 85°C operating temperature
SFP-1G20ALC-T	WDM-type (BiDi) SFP module with 1 1000BaseSFP port with LC connector for 20 km transmission; TX 1310 nm, RX 1550 nm, -40 to 85°C operating temperature
SFP-1G20BLC-T	WDM-type (BiDi) SFP module with 1 1000BaseSFP port with LC connector for 20 km transmission; TX 1550 nm, RX 1310 nm, -40 to 85°C operating temperature
SFP-1G40ALC-T	WDM-type (BiDi) SFP module with 1 1000BaseSFP port with LC connector for 40 km transmission; TX 1310 nm, RX 1550 nm, -40 to 85°C operating temperature
SFP-1G40BLC-T	WDM-type (BiDi) SFP module with 1 1000BaseSFP port with LC connector for 40 km transmission; TX 1550 nm, RX 1310 nm, -40 to 85°C operating temperature
SFP-1FELLC-T	SFP module with 1 100Base single-mode with LC connector for 80 km transmission, -40 to 85°C operating temperature
SFP-1FEMLC-T	SFP module with 1 100Base multi-mode, LC connector for 2/4 km transmission, -40 to 85°C operating temperature
SFP-1FESLC-T	SFP module with 1 100Base single-mode with LC connector for 40 km transmission, -40 to 85°C operating temperature
SFP-2.5GSLHLC-T	SFP module with 1 2.5GBaseFX port with LC connector, single-mode, for 45 km transmission, -40 to 85 °C operating temperature
SFP-2.5GSLC-T	SFP module with 1 2.5GBaseFX port with LC connector, single-mode, for 5 km transmission, -40 to 85 °C operating temperature
SFP-2.5GMLC-T	SFP module with 1 2.5GBaseFX port with LC connector, multi-mode, for 170, 200, 550, 600 m transmission, -40 to 85 °C operating temperature
SFP-2.5GLSLC-T	SFP module with 1 2.5GBaseFX port with LC connector, single-mode, for 20 km transmission, -40 to 85 °C operating temperature
SFP-1GTXRJ45-T	SFP module with 1 1000BaseT port with RJ45 connector for 100 m transmission, -40 to 75°C operating temperature

Power Supplies

HDR-60-24	60 W/2.5 A DIN-rail 24 VDC power supply, universal 85 to 264 VAC or 120 to 370 VDC input voltage, -30 to 70°C operating temperature
NDR-120-24	120 W/5.0 A DIN-rail 24 VDC power supply, universal 90 to 264 VAC or 127 to 370 VDC input voltage, -20 to 70°C operating temperature
NDR-120-48	120 W/2.5 A DIN-rail 48 VDC power supply, universal 90 to 264 VAC or 127 to 370 VDC input voltage, -20 to 70°C operating temperature
NDR-240-48	240 W/5.0 A DIN-rail 48 VDC power supply, universal 90 to 264 VAC or 127 to 370 VDC input voltage, -20 to 70°C operating temperature
MDR-40-24	DIN-rail 24 VDC power supply with 40W/1.7A, 85 to 264 VAC, or 120 to 370 VDC input, -20 to 70°C operating temperature
MDR-60-24	DIN-rail 24 VDC power supply with 60W/2.5A, 85 to 264 VAC, or 120 to 370 VDC input, -20 to 70°C operating temperature

© Moxa Inc. All rights reserved. Updated Apr 08, 2024.

This document and any portion thereof may not be reproduced or used in any manner whatsoever without the express written permission of Moxa Inc. Product specifications subject to change without notice. Visit our website for the most up-to-date product information.